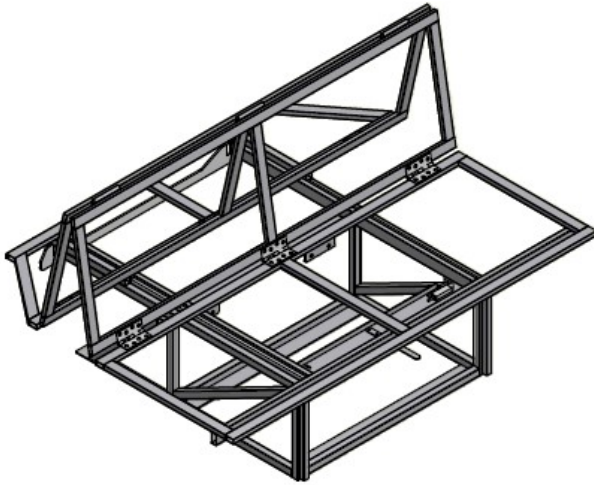
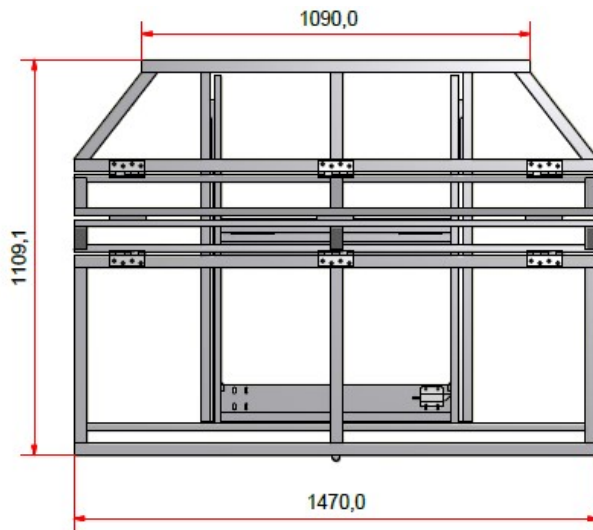


FCB85- Eco Bed Full Width



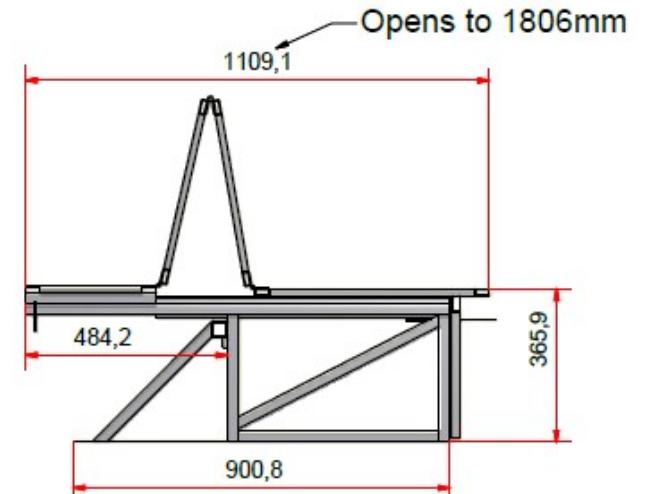
Plan (Seat)



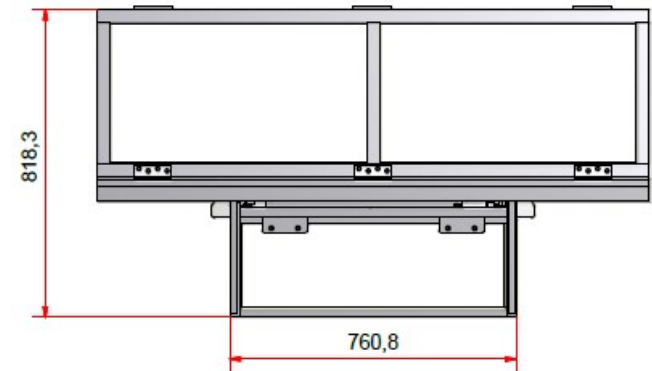
This bed is one of our most popular rock and roll beds which is ideal for small conversions. It has the following features:

- Suitable for vehicles such as the VW T4, T5, Mercedes Vito and Vauxhall Vivaro.
- Two seat belt mounting points suitable for lap belts.
- Easy to operate and slides using a pair of robust vertically mounted sliding runners.
- Twin locking mechanisms when in seat configuration.
- Finished in a tough, durable grey polyester powdercoat.

Also available in a 3/4 width Eco Bed, FCB44.



Front (Seat)



For availability or to place an order please call 01934 751242 or email office@frocesterengineering.co.uk