

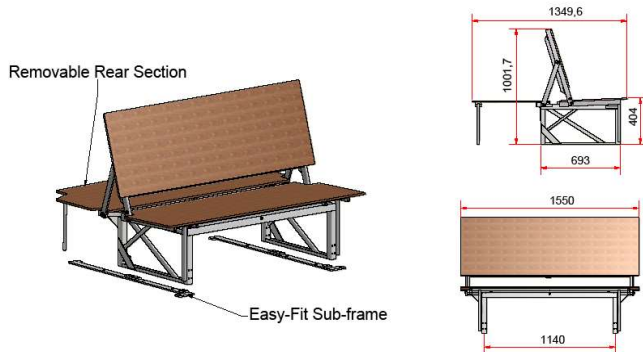
FCB89 T5 “Cambee Triple” R&R Bed

The T5 “Cambee Triple” frame is a three-person seat that quickly and easily folds down to create a full-width double bed.

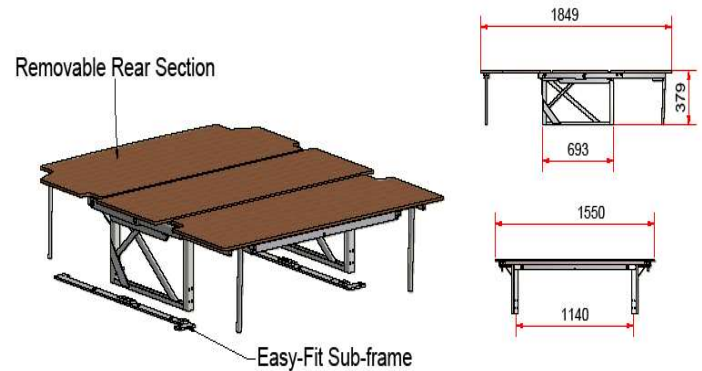
Designed with safety and comfort in mind for both travelling and sleeping, the frame features three integral three-point seat belts and has been pull tested to M1 standards. *

The seat has been designed specifically with VW T5 conversions in mind, but could easily be used in other vehicles requiring an M1 approved, triple rear seat that folds down into a double bed.

Seat Configuration



Bed Configuration



Key Features:

- **Removable** – Optional, easy-fit sub-frame offers time saving fitting to the vehicle chassis and allows the bed to be unbolted for quick removal and re-fitting if transporting of large items is required.
- **Storage** – Large through-storage space under seat base, allowing surfboards and longer items to be stored under the seat frame. Alternatively the space can be used for a large removable storage drawer or portable loo.
- **Ergonomic** – Tall back-rest and short seat length for safe and comfortable travel.
- **Comfort** – Foam face is used for sitting and sleeping, allowing maximum thickness and comfort.
- **Simple** – Easy lift and slide operation: undo release winder, lift front of slider and pull forward to convert to bed.
- **Flexible** – Rear bed panel/parcel shelf folds up and is detachable, allowing large items to be transported in the rear area.
- **Crumple zone** – Seat designed to deform, reducing shock to passenger.
- **Multi-positional** – Track system is available for additional positioning.
- **Secure** – Solid mild steel construction with attractive, durable powder-coated finish.
- **Weight-saving** – At only 87.3 kg the Cambee Triple leaves more vehicle carrying capacity.

Typical Installation



(Shown with track system)

* Compliant with 76/115/EEC, as amended by 2005/41/EC & ECE Regulation 14.07 for M1 loading when mounted on a rigid steel frame (Cert. no. MMU 1488H1).

For availability or to place an order call 01934 751242 or email office@frocesterengineering.co.uk