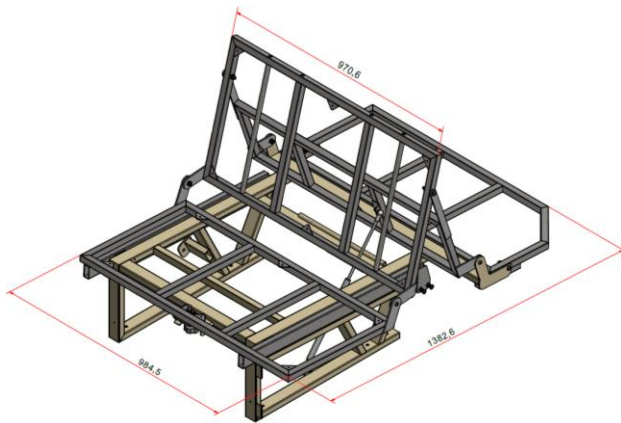


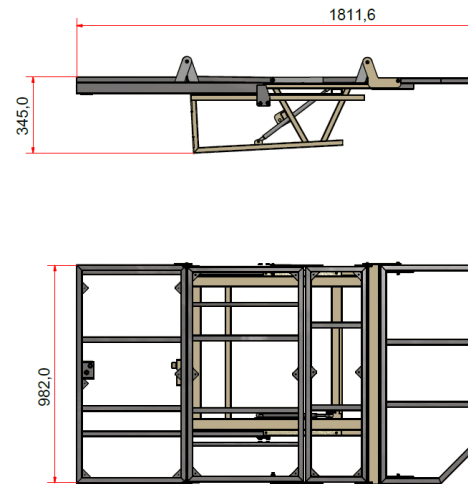
FCB123 Toyota Alphard Seat/Double Bed

At Frocester Engineering we manufacture various seats and beds for the motorhome conversion industry. We hold many in stock and can offer discounts depending on the quantities required. The FCB123 seat has been designed to specifically to suit the Toyota Alphard conversions market.

Seat Configuration



Bed Configuration



Key Features:

- Locks into position using an anti-vibration method that pinches the system shut.
- Gas strut aids the use of the backrest.
- Two integrated seat belt mounting points.
- Tapered design to suit existing floor of vehicle.
- Easy slide operation that doesn't use any bearings or runners.
- The rear shelf pivots up to allow for additional storage.
- Bolts straight down through existing floor.
- Solid mild steel construction with attractive, durable powder-coated finish.

We are a UK based company and manufacture all seats in house, the quality of our seats is very high and comes recommended from all our customers. We are based in Somerset and we are able to dispatch seats within the UK by various means depending on the quantities required.

We are happy to help customers develop seats to suit their requirements so that we can go into production on a regular basis.

If you have any questions on any of our seat products we are more than happy to help.