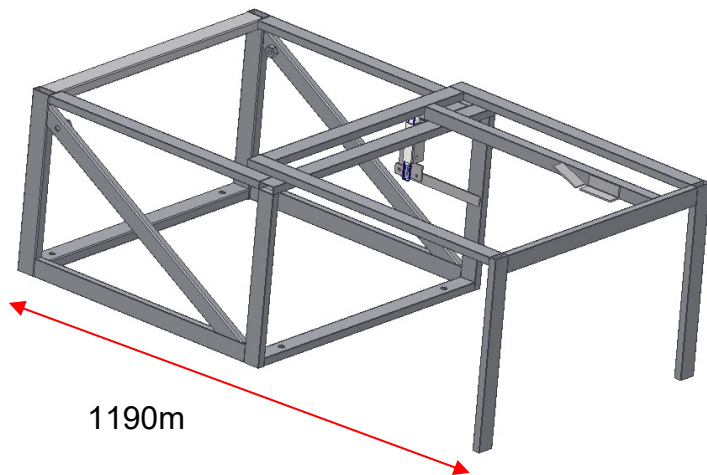
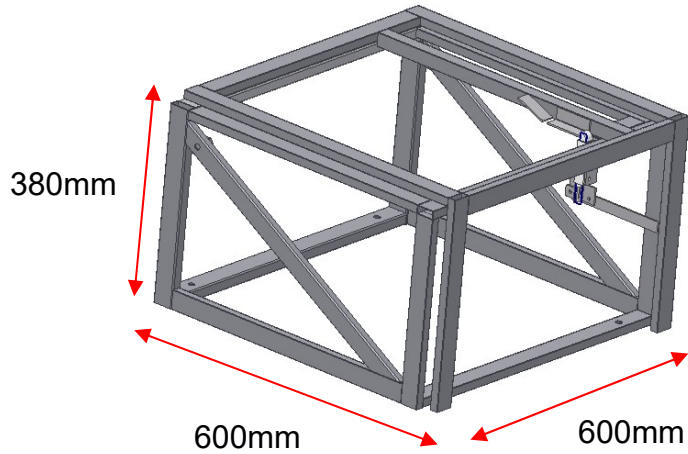
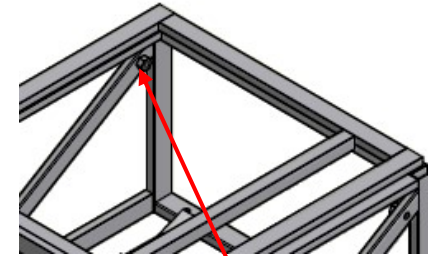


FCB45 Single Sliding Seat Frame



This is our favourite single sliding seat frame for small conversions. It has the following features:

- Suitable for various conversions
- Strong steel tube construction
- Easy to operate and slides using a pair of robust vertically mounted sliding runners.
- Twin locking mechanisms when in seat configuration.
- Internal diagonal strengthening incorporating the seat belt mount point.
- Finished in a tough, durable grey polyester powdercoat.



Seat belt mounting point incorporated into the strengthening bars.

For availability or to place an order please call 01934 751242 or email office@frocesterengineering.co.uk