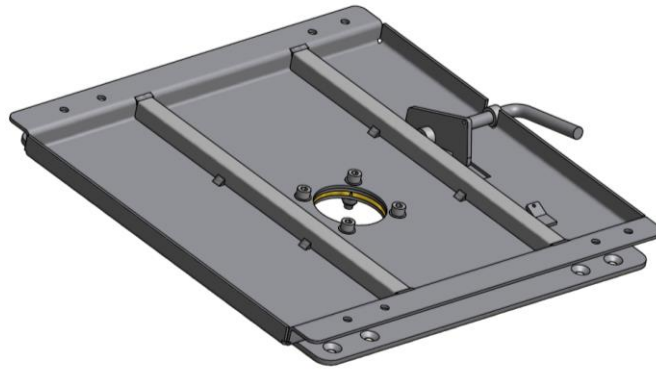
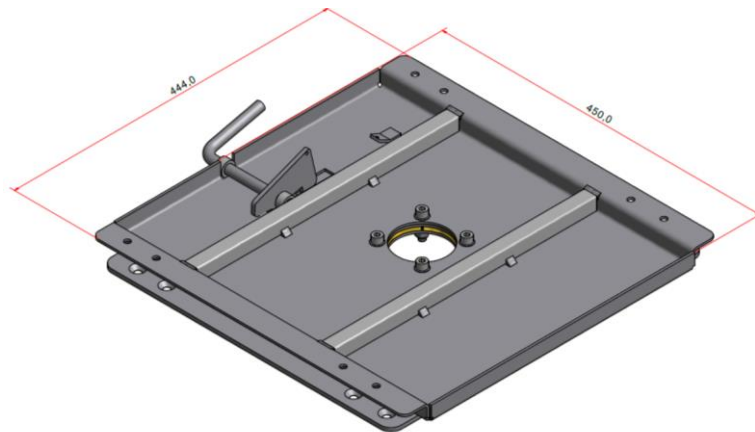


At Frocester Engineering we manufacture various swivels and swivel boxes for the motorhome conversion industry. We hold many in stock and can offer discounts depending on the quantities required.

Hyundai i800



FCS46- Hyundai i800: This is a swivel plate is for a Hyundai i800, it uses the same system as our T5 tested range with a slip plate to allow the rotation of the swivel. It has pre-drilled holes for the fitment of standard Hyundai Seats. Powdercoated in Gloss Black to Finish.



Its overall dimensions are: 450 x 444mm Excluding Handle

We are a UK based company and manufacture all swivels in house, the quality of our swivels is very high and comes recommended from all our customers. We are based in Somerset we are able to dispatch swivels within the UK by various means depending on the quantities required.

We are happy to help customers develop swivels to suit their requirements so that we can go into production on a regular basis.

If you have any questions on any of our swivel products we are more than happy to help. Please contact us on 01934 751242 or 01934 751243(fax).