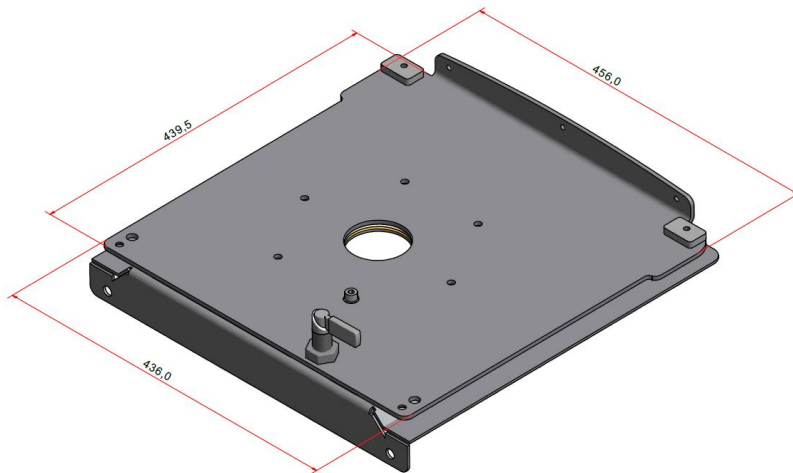


At Frocester Engineering we manufacture various swivels and swivel boxes for the motorhome conversion industry. We hold many in stock and can offer discounts depending on the quantities required.

Toyota Alphard



FCS50 & FCS59- Toyota Alphard: This is a swivel plate for a Toyota Alphard, it uses the same system as our tested transit swivel range using a slip plate to rotate and swivel, it locks in place with an easy to use locking pin. It has pre-drilled holes for the fitment of standard Alphard seats. Powdercoated in Gloss Black to Finish.



Its overall dimensions are: 456 x 439.5mm

We are a UK based company and manufacture all swivels in house, the quality of our swivels is very high and comes recommended from all our customers. We are based in Somerset we are able to dispatch swivels within the UK by various means depending on the quantities required.

We are happy to help customers develop swivels to suit their requirements so that we can go into production on a regular basis.

If you have any questions on any of our swivel products we are more than happy to help. Please contact us on 01934 751242 or 01934 751243(fax).